



**SOLID**  
TO SUCCEED

TELESCOPIC BOOM LIFT

# XGS16E



The print does not belong to the contract, nor a part of the vehicle purchase contract. We reserve the right to revise the product model, parameters, configuration based on the continuous improvement requirements of the product, without prior notice. Pictures are for reference only, and the specific product shall depend on the real product.

# XGS16E

## Telescopic boom lift

### FEATURES

#### MEASUREMENTS

16m working height  
Up to 272/350kg lift capacity

#### PRODUCTIVITY

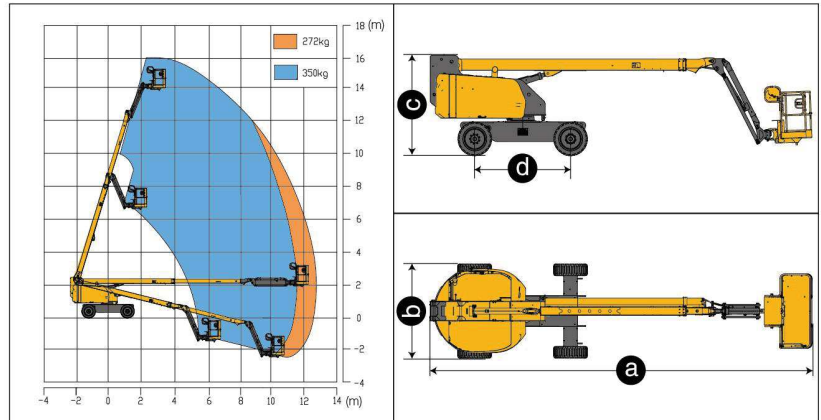
1.83m × 0.76m working platform  
4 driving wheels  
2 steering wheels  
45% theoretical gradeability  
Solid rubber tires  
Platform automatic leveling system  
160° platform rotation  
Fully proportional multi-function controls  
Hydraulic oil cooler  
Drive enable  
Hourmeter record  
Tilt alarm  
Lift and lower alarm  
Drive alarm  
360° continuous turntable rotation  
Lockable canopy  
High/Slow speed mode  
Turntable control box  
Engine status display  
Initiative anti-extrusion system  
Flashing beacon

#### POWER

Engine protection devices  
Deutz Euro stage V emission  
12V DC emergency power

### OPTIONS

Tool tray  
Platform working light  
Foam-filled rough terrain tires



Item	Unit	XGS16E
Working height	m	16
Platform height	m	14
Working radius	m	12.7
Lift capacity	kg	272/350
Occupant capacity	-	2
Boom luffing range	°	-14~+73
Fly jib luffing range	°	-65~+70
Turntable rotation	°	360
Platform rotation	°	160
Drive speed (retracted/extended)	km/h	4.8/0.6
Turning radius (inside/outside)	m	1.9/4.7
Tailswing	mm	1120
Ground clearance	mm	300
Gradeability	%	45
Tires	-	32×12-20/7.5
Power source	-	Deutz D2.9L4
Rated power	kW/(r/min)	36.4/(2600)
Fuel tank	L	90
Hydraulic tank	L	120
Weight	kg	8050
Platform size	mm	1830×760
a Length (transportation)	mm	9400/9100
b Width	mm	2320
c Height	mm	2480
d Wheelbase	mm	2360

SOLID TO SUCCEED