



SOLID
TO SUCCEED

ARTICULATED BOOM LIFT

XGA22ACK



The print does not belong to the contract, nor a part of the vehicle purchase contract. We reserve the right to revise the product model, parameters, configuration based on the continuous improvement requirements of the product, without prior notice. Pictures are for reference only, and the specific product shall depend on the real product.

XGA22ACK

Articulated boom lift

FEATURES

MEASUREMENTS

22.21m working height
up to 256/350kg lift capacity

PRODUCTIVITY

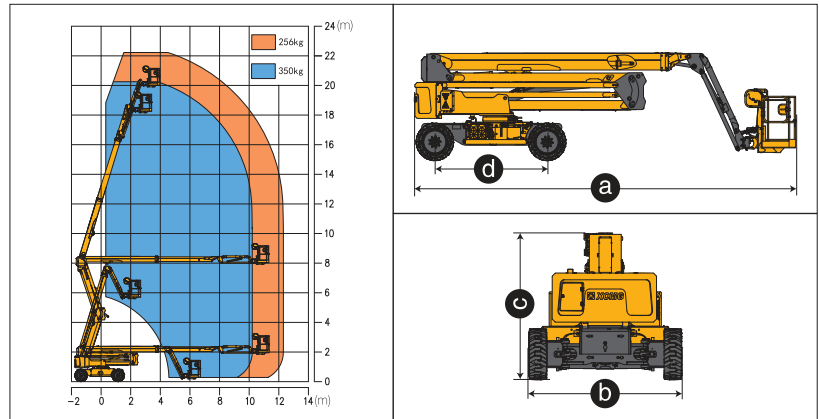
1.8m x 0.76m working platform
Full opening doors, two entry platforms
160° platform rotation
Automatic platform levelling
Proportional handle control
Enable switch
Hourmeter record
Full time positive traction drive
Telematics pre-interface
Initiative anti-extrusion system
40% theoretical gradeability
Dual load range control
Primary power source chargers

POWER

400Ah/48V Lead-acid batteries
1.9kW/12V DC emergency control unit
12V DC proportional control

OPTIONS

Platform working light
Tool tray
Non-marking tires
456Ah/51.52V Lithium batteries



| Item | Unit | XGA22ACK |
|----------------------------------|------|---|
| Working height | m | 22.21 |
| Platform height | m | 20.21 |
| Working radius | m | 12.23 |
| Lift capacity | kg | 256/350 |
| Occupant capacity | - | 2 |
| 1st Boom luffing range | ° | 0~70 |
| 2nd Boom luffing range | ° | 0~71 |
| Fly jib luffing range | ° | -65~+70 |
| Turntable rotation | ° | 360 |
| Platform rotation | ° | 160 |
| Drive speed (retracted/extended) | km/h | 4.5/0.6 |
| Turning radius (inside/outside) | m | 3.5/5 |
| Tailswing | mm | 560 |
| Ground clearance | mm | 300 |
| Gradeability | % | 40 |
| Tires | - | 835×295(200.5) |
| Control system | - | 12V DC proportional control |
| Emergency control unit | kW/V | 1.9/12 DC |
| Batteries | V/Ah | 48/400 Lead-acid (standard) 51.52/456 Lithium (optional) |
| Charger | V/A | 48/35 Lead-acid (standard) 48/60 Lithium (optional) |
| Main power unit | kW/V | 12/32 |
| Drive motor | kW/V | 3.3/32 |
| Hydraulic tank | L | 103 |
| Weight | kg | 10100 |
| Platform size | mm | 1800×760 |
| a Length (transportation) | mm | 8490/7250 |
| b Width | mm | 2490 |
| c Height | mm | 2380 |
| d Wheelbase | mm | 2500 |

SOLID TO SUCCEED