



**SOLID**  
TO SUCCEED

ARTICULATED BOOM LIFT

**XGA20ACE**



The print does not belong to the contract, nor a part of the vehicle purchase contract. We reserve the right to revise the product model, parameters, configuration based on the continuous improvement requirements of the product, without prior notice. Pictures are for reference only, and the specific product shall depend on the real product.

# XGA20ACE

## Articulated boom lift

### FEATURES

#### MEASUREMENTS

20.6m working height  
Up to 256/350kg lift capacity

#### PRODUCTIVITY

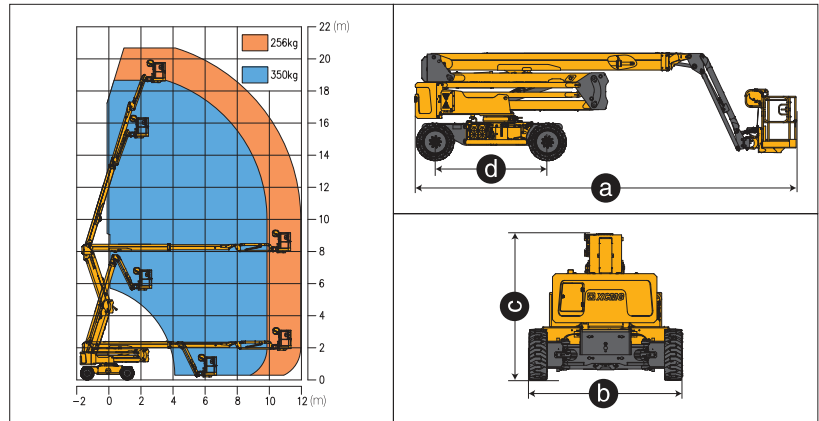
1.83m x 0.76m working platform  
4 driving wheels  
2 steering wheels  
45% theoretical gradeability  
Solid non-marking tires  
Platform automatic leveling system  
160° platform rotation  
Fully proportional multi-function controls  
Enable switch  
Horn  
Hourmeter record  
Tilt alarm  
Lift and lower alarm  
Drive alarm  
360° continuous turntable rotation  
Lockable canopy  
High/Slow speed mode  
Flashing beacon  
Axle balance system

#### POWER

400Ah/48V Lead-acid batteries  
1.9kW/12V DC emergency control unit  
12V DC proportional control

### OPTIONS

Platform working light  
Tool tray  
Non-marking tires  
412Ah/51.2V Lithium batteries



Item	Unit	XGA20ACE
Working height	m	20.6
Platform height	m	18.6
Working radius	m	11.98
Lift capacity	kg	256/350
Occupant capacity	-	2
1st Boom luffing range	°	0~72
2nd Boom luffing range	°	0~+73
Fly jib luffing range	°	-64~+70
Turntable rotation	°	360
Platform rotation	°	160
Drive speed (retracted/extended)	km/h	4.8/0.6
Turning radius (inside/outside)	m	3.4/5
Tailswing	mm	560
Ground clearance	mm	300
Gradeability	%	45
Tires	-	835x295
Control system	-	12V DC proportional control
Emergency control unit	kW/V	1.9/12 DC
Batteries	V/Ah	48/400 Lead-acid (standard) 51.2/412 Lithium (optional)
Charger	V/A	48/35 Lead-acid (standard) 48/60 Lithium (optional)
Main power unit	kW/V	12/32
Drive motor	kW/V	3.3/32
Hydraulic tank	L	82
Weight	kg	9100
Platform size	mm	1800x760
a Length (transportation)	mm	8490/6230
b Width	mm	2490
c Height	mm	2380
d Wheelbase	mm	2500

SOLID TO SUCCEED