



SOLID
TO SUCCEED

SCISSOR LIFTS

XG0807AC/XG0807ACW



The print does not belong to the contract, nor a part of the vehicle purchase contract. We reserve the right to revise the product model, parameters, configuration based on the continuous improvement requirements of the product, without prior notice. Pictures are for reference only, and the specific product shall depend on the real product.

XG0807AC/XG0807ACW



Scissor lifts

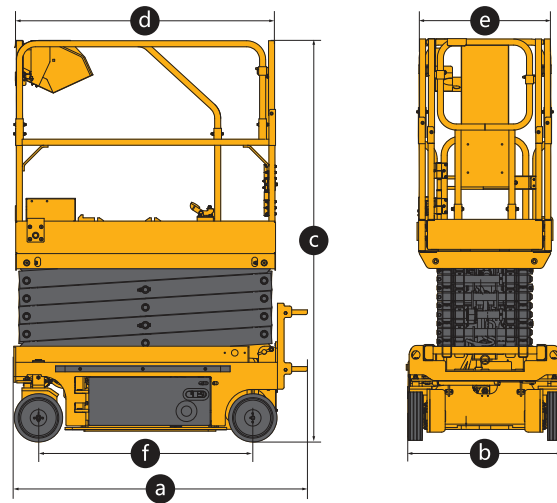
FEATURES

PRODUCTIVITY

- 2 front driving wheels
- 25% theoretical gradeability
- Battery charge indicator and diagnostic display
- Manual platform lowering valve
- Both platform and ground control panel with emergency stop button
- Front wheel multi-disc brakes
- Manual brake release
- Solid non-marking tires
- Mobile pothole protection
- Tilt alarm
- Hourmeter record
- Lift and lower alarm
- Horn
- Flashing beacons
- Drive alarm
- Overload alarm

OPTIONS

- Platform working light
- Air-line to platform
- AC power to the platform
- Lithium battery



Item	Unit	XG0807AC	XG0807ACW
Lift capacity	kg	230	230
Lift capacity of auxiliary platform	kg	115	115
Occupant capacity	-	2/1(in/out)	2/1(in/out)
Working height	m	7.8	7.8
Platform height	m	5.8/4.5(in/out)	5.8
Length of auxiliary platform	mm	900	900
Ground clearance (pothole protector – raised/lowered)	mm	71/20	71/20
Turning radius (inside/outside)	m	0/1.75	0/1.75
Drive motor	kW	0.5	0.5
Lift motor	kW	3.3	3.3
Drive speed (retracted/extended)	km/h	4.5/0.8	4.5/0.8
Lift/Lower time	s	13~30/25~35	13~30/25~35
Gradeability	%	25	25
Tilt alarm (side/forward and backward)	°	1.5/3	1.5/3
Batteries	V/Ah	4x6/280 Lead-acid (standard) 26.76/150 Lithium (optional)	4x6/280 Lead-acid (standard) 26.76/150 Lithium (optional)
Charger	V/A	24/30	24/30
Tires	-	323x100	323x100
Weight	kg	1550	1580
a Length (without ladder)	mm	1900(1680)	1900(1680)
b Width	mm	760	810
c Height (platform folded)	mm	2160(1830)	2160(1830)
d x e Platform size (Length x Width)	mm	1670x740	1670x740
f Wheelbase	mm	1360	1360

SOLID TO SUCCEED