



SOLID
TO SUCCEED

SCISSOR LIFTS XG0607DC/XG0608DC/XG0708DC



The print does not belong to the contract, nor a part of the vehicle purchase contract. We reserve the right to revise the product model, parameters, configuration based on the continuous improvement requirements of the product, without prior notice. Pictures are for reference only, and the specific product shall depend on the real product.

XG0607DC/XG0608DC/XG0708DC



Scissor lifts

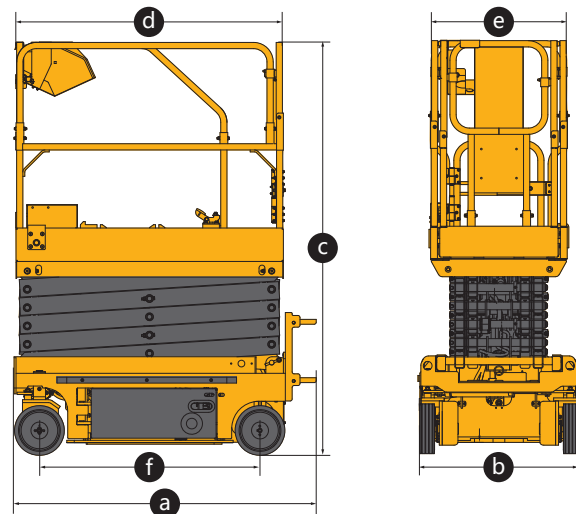
FEATURES

PRODUCTIVITY

- 2 rear driving wheels
- 25% theoretical gradeability
- Battery charge indicator and diagnostic display
- Manual platform lowering valve
- Both platform and ground control panel with emergency stop button
- Rear wheel multi-disc brakes
- Manual brake release
- Solid non-marking tires
- Mobile pothole protection
- Tilt alarm
- Hourmeter record
- Lift and lower alarm
- Horn
- Dual flashing beacons
- Drive alarm
- Overload alarm

OPTIONS

- Platform working light
- Air-line to platform
- AC power to the platform



Item	Unit	XG0607DC	XG0608DC	XG0708DC
Lift capacity	kg	240	240	240
Lift capacity of auxiliary platform	kg	100	120	120
Occupant capacity	-	2	2/1(in/out)	2
Working height	m	5.9	6.3	7.7
Platform height	m	3.9	4.3	5.7
Length of auxiliary platform	mm	600	600	600
Ground clearance (pothole protector – raised/lowered)	mm	65/15	58/24	58/24
Turning radius (inside/outside)	m	0.4/1.55	0.45/1.6	0.45/1.6
Drive motor	kW	0.45	0.55	0.55
Lift motor	kW	1.3	1.3	2.2
Drive speed (retracted/extended)	km/h	4.0/0.5	4.0/0.5	4.0/0.5
Lift/Lower time	s	27~37/23~33	28~38/24~34	28~40/24~36
Gradeability	%	25	25	25
Tilt alarm (side/forward and backward)	°	1.5/3	1.5/3	1.5/3
Batteries	V/Ah	2×12/75	2×12/85	2×12/115
Charger	V/A	24/15	24/15	24/15
Tires	-	254×76	254×76	254×76
Weight	kg	900	1050	1200
a Length (without ladder)	mm	1450(1290)	1558(1390)	1558(1390)
b Width	mm	760	810	810
c Height (platform folded)	mm	2020(1660)	2020(1660)	2120(1760)
d x e Platform size (Length x Width)	mm	1290×700	1370×700	1370×700
f Wheelbase	mm	1030	1130	1130

SOLID TO SUCCEED